



WM8-BADEP3G-26-NJ

High gain

Mast mount or wall mount

Low PIM & SAR tested to EN50385:2002

Integrate wireless services into one antenna



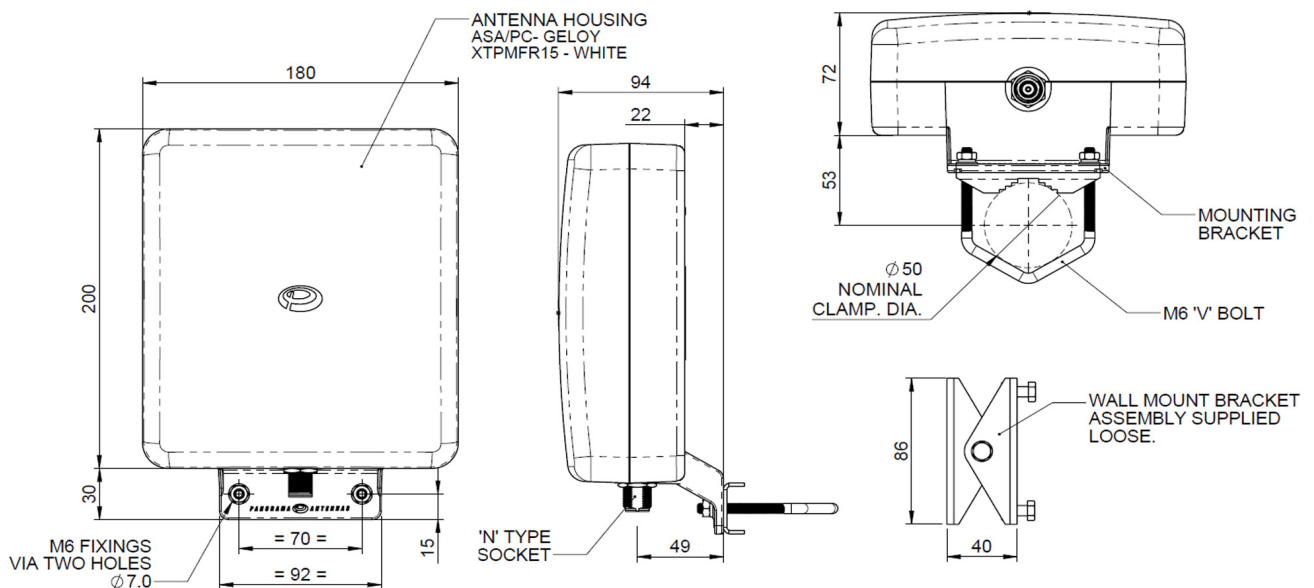
A versatile high gain directional antenna for in building applications, Panorama's WM8 range allows businesses and facilities to support multi-service/multi-operator wireless coverage. The WM8-BADEP3G-26-NJ supports 2G, 3G, 3G+ and 4G technologies including LTE, AMPS, PCS, GSM, UMTS & AWS with lower gain coverage of WIFI 2.4GHz and LTE 2.6GHz.

The WM8 range is housed in impact resistant, UV light stabilised plastic. The features a heavy duty N female connector making the product ideal for indoor and outdoor deployment, for inbuilding coverage or network infill applications.



This product features Panorama Antennas' PIM Guard Technology and will meet or exceed a third order intermodulation level of < -140dBc.

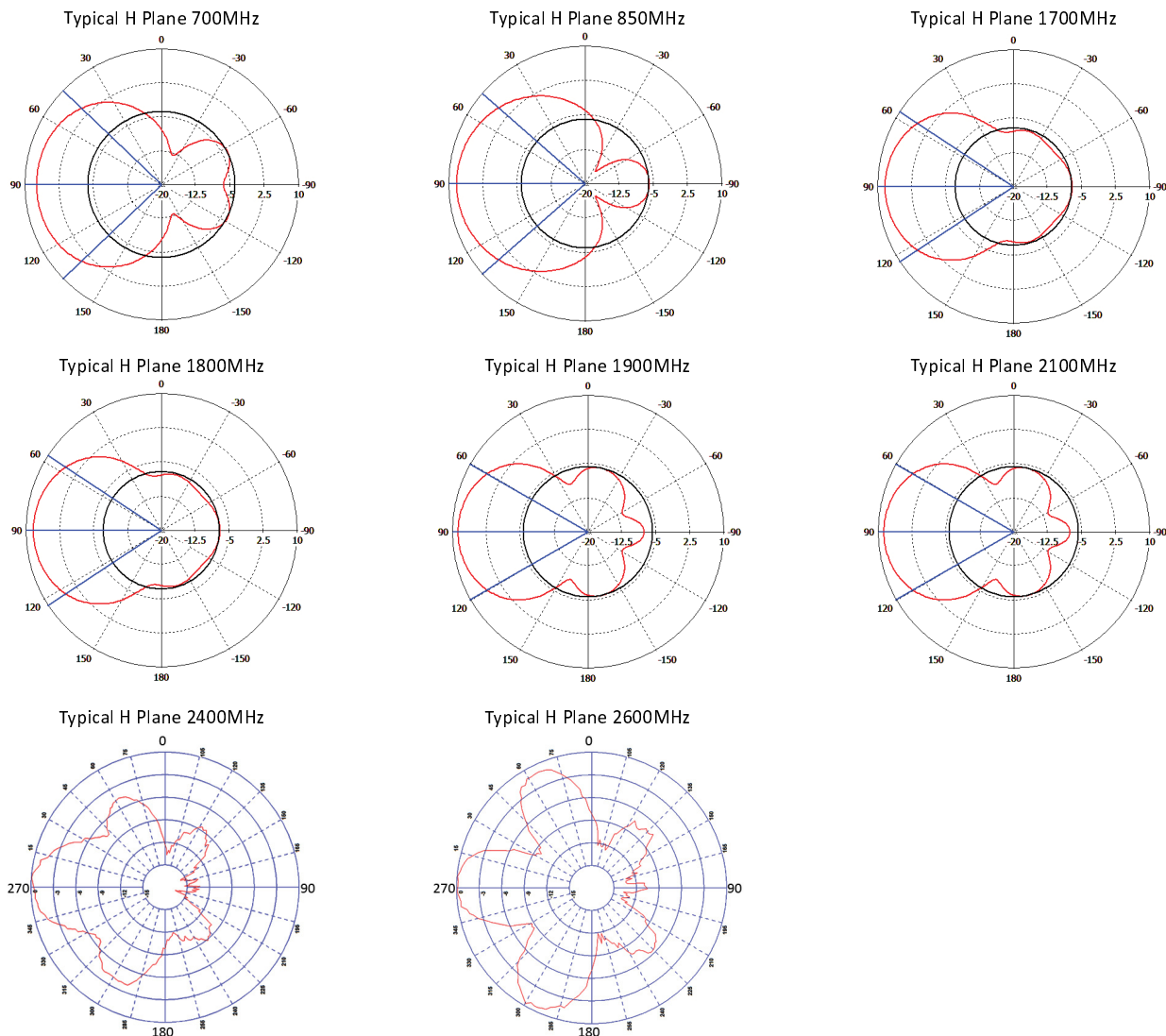
Technical Drawing



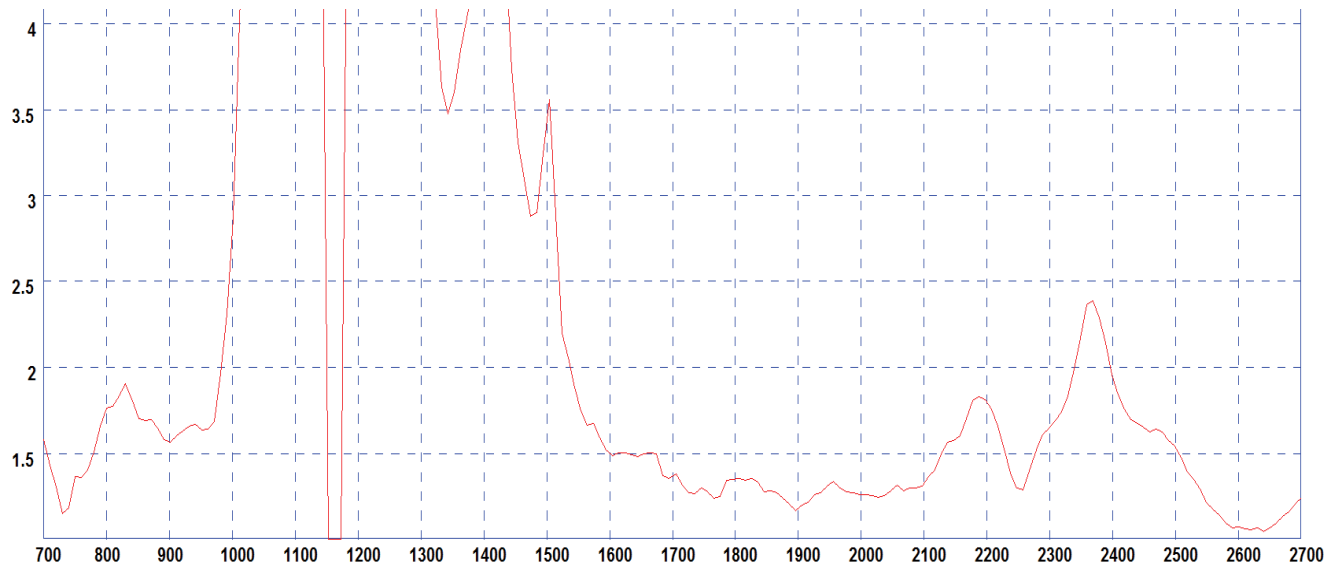
In Building Antennas

Low PIM Directional Antenna

Polar radiation plots



Typical VSWR



*Measurements taken looking directly into N connector on antenna housing.

In Building

Low PIM Directional Antenna

| | | |
|--|---|---|
| Part No. | | WM8-BADEP3G-26-NJ |
| Electrical Data | | |
| Frequency Range (MHz) | | 698-960, 1710-2700 |
| Operational Band | | LTE700, AMPS 850, CDMA 800, GSM1800, PCS1900, 3G UMTS, AWS, WIFI, LTE 2.6 |
| Peak Gain: Isotropic | LTE 700MHz, AMPS800 & GSM900 | 6.5dBi |
| | GSM1800, PCS1900, 3G UMTS / AWS 2100 | 9dBi |
| | WIFI 2400, LTE 2600 | 6dBi |
| VSWR | | <2.5:1 |
| Polarisation | | Vertical |
| Pattern | | Directional |
| Typical Passive intermod. (2x20W, 3rd ord.) dBc* | | -140 |
| SAR and 'Touch Safe' Test Data | | According to 50385:2002 (Bands: 850, 900, 1800, 2100, 2600MHz) |
| Impedance | | 50Ω |
| Max Input Power (W) | | 50 |
| Mechanical Data | | |
| Dimensions (mm) | Height | 230mm (9.05") |
| | Width | 180mm (7.08") |
| | Length | 94mm (3.7") |
| Operating Temp (°C) | | -30° / +70°C (-22° / 158°F) |
| Material | | PC/ASA |
| Colour | | White |
| Connector Data | | |
| Type | | N Socket |
| Mounting Data | | |
| Fixing | | Pole Mount / Wall Mount |
| Pole Diameter | | 20-50 mm (0.8 - 1.96") |

*Range PIM performance verified under controlled conditions by Anritsu PIM Master test equipment.

Panorama Antennas Ltd
Frogmore, London, SW18 1HF, United Kingdom

T: +44 (0)20 8877 4444
F: +44 (0)20 8877 4477

E: sales@panorama-antennas.com
www.panorama-antennas.com

Waiver: The data given above is indicative of the performance of the product/s under particular conditions and does not imply a guarantee of performance or a warranty of fitness for any particular purpose. These specifications are subject to change without notice.

Copyright © Panorama Antennas Ltd. All rights reserved.