

## Low Profile Mag Mount Antenna

05/05/2016 v2



- Rugged low profile design
- Covers global cellular / LTE bands
- Removable magnetic mount

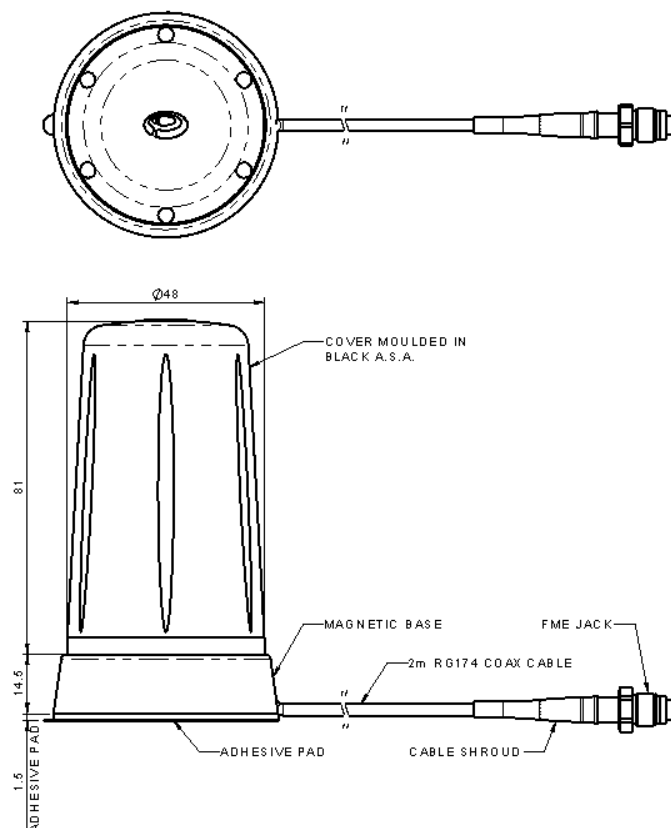
The Panorama LPBEM-7-27 is a range of low cost high performance magnetic mount antennas for temporary fit applications. At only 95mm (3.7") high and protected by a robust high impact radome the antenna is almost impervious to daily wear and tear.

The LPBEM offers excellent performance across a wide bandwidth. The LPBEM-7-27 covers global cellular and LTE frequencies from 698-960 MHz and 1710-3800MHz making it an extremely versatile product. Although intended for magnetic mounting on a conductive ground plane the antenna can also be used for desk mounting applications with some impact on performance.

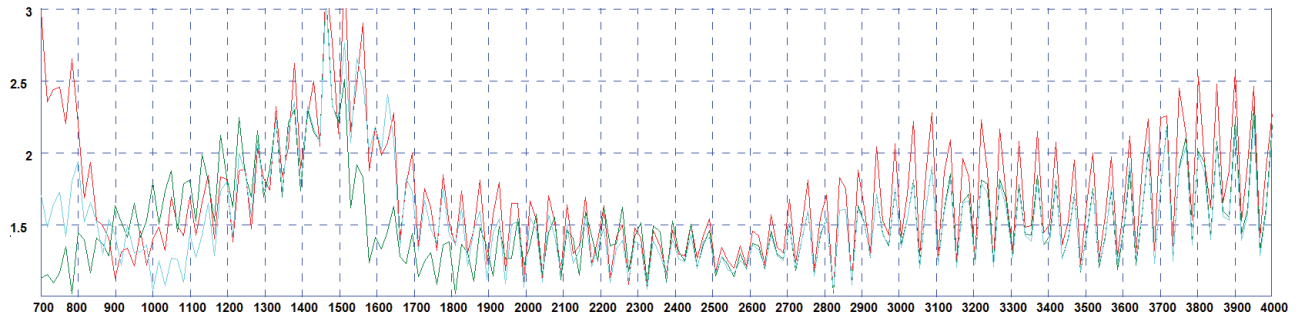
Supplied with a convenient 2m (6') length of flexible RG174 cable the LPBEM is easy to install and compatible with a large range of modems.

### Technical Drawing

LPBEM-7-27-2F shown



Typical VSWR\*



\*Red VSWR measured with no ground plane with with 2m (6'6") of RG174 cable.  
 \*Green VSWR measured on a 400x400mm (16x16") ground plane with with 2m (6'6") of RG174 cable.  
 \*Blue VSWR measured on SP5-0470 mounting bracket with with 2m (6'6") of RG174 cable.

| Part No.                               |               | LPBEM-7-27-2SP                             | LPBEM-7-27-2F |
|--|---------------|--|---------------|
| <b>Electrical Data</b>                 |               |  |               |
| Frequency Range (MHz)                  |               | 698-960 / 1710-3800                        |               |
| Operational Band                       |               | 700/800/900/1800/1900/2100/ 2400/2600/3500 |               |
| Peak Gain<br>(excluding cable<br>loss) | 698-960 MHz   | 3dBi                                       |               |
|  | 1710-2170 MHz | 4dBi                                       |               |
|  | 2170-2700 MHz | 5dBi                                       |               |
|  | 3400-3800MHz  | 2dBi                                       |               |
| Typical VSWR*                          |               | <2.5:1                                     |               |
| Polarisation                           |               | Vertical                                   |               |
| Pattern                                |               | Omni-directional                           |               |
| Impedance                              |               | 50Ω  |               |
| Max Input Power (W)                    |               | 25   |               |
| <b>Mechanical Data</b>                 |               |  |               |
| Dimensions<br>(mm)                     | Height        | 95 (3.7")                                  |               |
|  | Diameter      | 48 (1.89")                                 |               |
| Operating Temp (°C)                    |               | -40°/+80°C ( -40°/176°F )                  |               |
| Material                               |               | UV stable ASA & Aluminium                  |               |
| Colour                                 |               | Black                                      |               |
| Approx Weight (g)                      |               | 150  |               |
| Ingress Protection                     |               | Equivalent to IPX6                         |               |
| <b>Mounting Data</b>                   |               |  |               |
| Fixing                                 |               | Magnetic mount                             |               |
| Max Speed (KM/h)                       |               | 160 (100 Mph)                              |               |
| <b>Cable &amp; Connector Data</b>      |               |  |               |
| Cable Type                             |               | RG174                                      |               |
| Cable Diameter (mm)                    |               | 2.8 (0.1")                                 |               |
| Cable Length (m)                       |               | 2 (6.6')**                                 |               |

\*\*Other cable lengths and connectors available on request.



**Panorama Antennas Ltd**  
 Frogmore, London, SW18 1HF, United Kingdom

T: +44 (0)20 8877 4444  
 F: +44 (0)20 8877 4477  
 E: sales@panorama-antennas.com  
 www.panorama-antennas.com

Waiver: The data given above is indicative of the performance of the product/s under particular conditions and does not imply a guarantee of performance. These specifications are subject to change without notice.

Copyright © Panorama Antennas Ltd. All rights reserved.